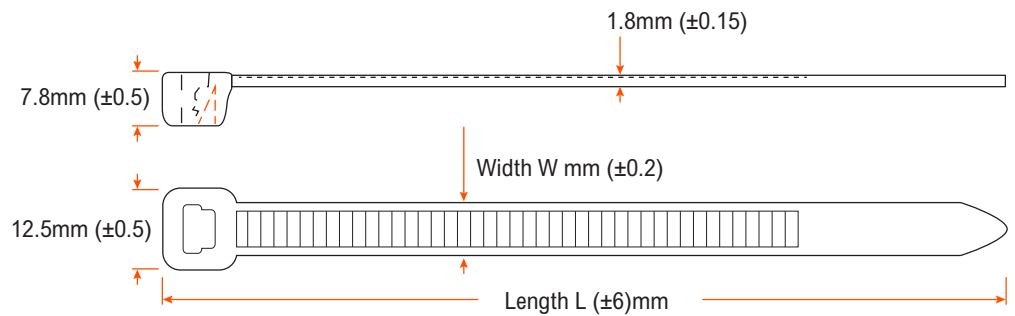
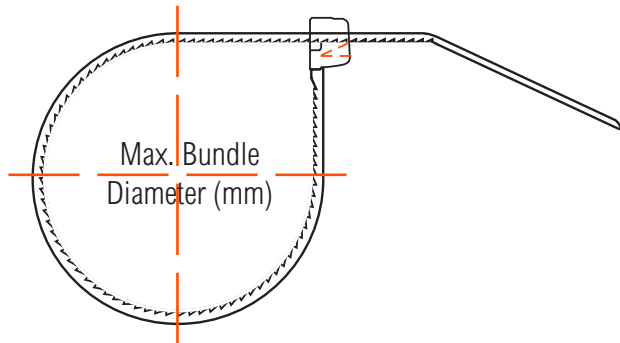
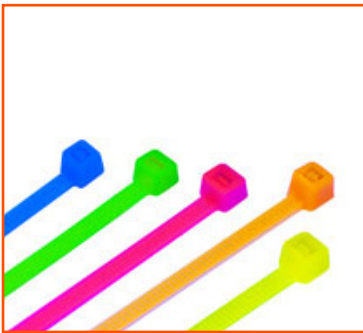


Cable Ties

Wide Fluorescent



- **Material:** UL approved Nylon 66, 94V-2.
High tensile strength with low insertion force.
Excellent resistance to weathering and ageing.
- **Feature:** Suitable for a multitude of uses in various industries.
- **Application:** Self-locking for fast and easy application.
- **Operating Temperature:** -40°C to +85°C.



Item No.	Colour	Width W (mm)	Length L (mm)	Max. Bundle Diameter (mm)	Min. Tensile Strength (kg)
CT11-FLBLUE	Fluorescent Blue	7.6	370	101	55
CT11-FLGREEN	Fluorescent Green	7.6	370	101	55
CT11-FLORAN	Fluorescent Orange	7.6	370	101	55
CT11-FLPINK	Fluorescent Pink	7.6	370	101	55
CT11-FLYLW	Fluorescent Yellow	7.6	370	101	55